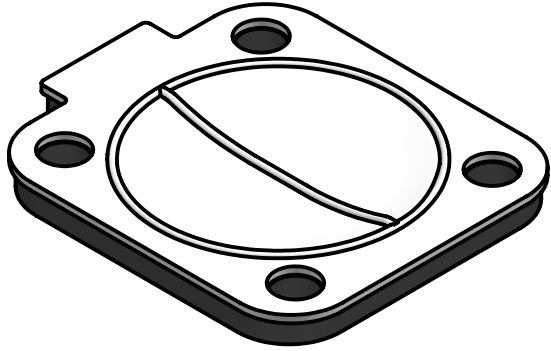
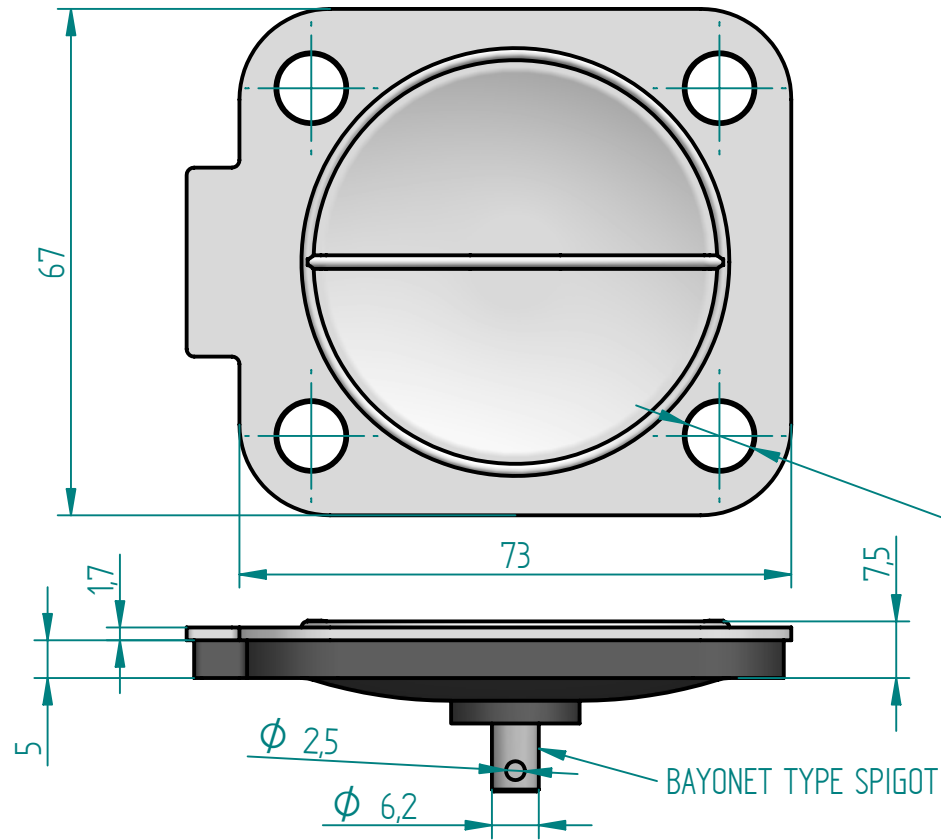
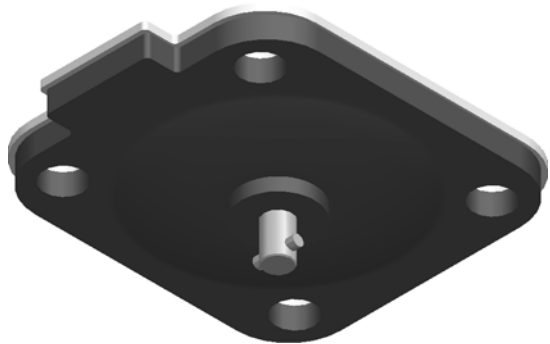


REVISION HISTORY			
REV	DESCRIPTION	DATE	APPROVED
A	New OEM PART - A-025EX-1"	09/03/22	JB

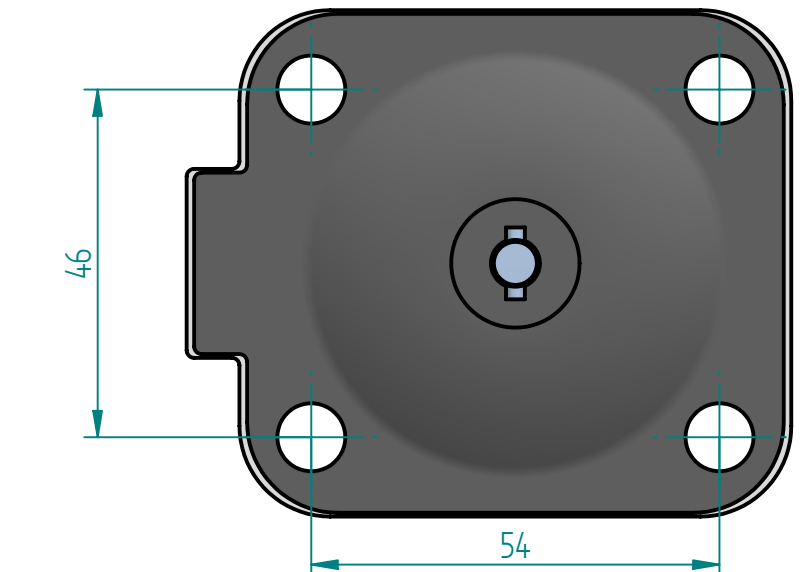



SCALE
1:1.25

Ø 9,5 (4 HOLES)



Replacement Diaphragm for :-
 OEM PART = A-025EX-1"
 USED ON 1" (DN25) Diaphragm Valve



	NAME	DATE	 DIAPHRAGM DIRECT
DRAWN	M. MC KEON	03/08/22	
CHECKED			TITLE
Material - SILICONE BACKING TFM - DIAPHRAGM Complies with CFR 177.2600 and Conforms to USP Class VI Biological Reactivity Tests Section #87 and #88			DD10-STFM-X
SIZE	FOOT PRINT DIMENSIONS		REV
A			A
FILE NAME: DD10-STFM-X.dft			
SCALE: 1 : 1	Job: 39	SHEET 1 OF 1	

Disclaimer - Diaphragm Direct® does not manufacture, represent, nor sell OEM valves or diaphragms manufactured by any other company. Diaphragm Direct® brand diaphragms are not sponsored by any other manufacturers. Any name, model, part number, brand, image, material or referral is for descriptive purposes only. Diaphragm Direct® brand replacement diaphragms are guaranteed to fit OEM equipment and meet or exceed OEM specifications. Diaphragm Direct® brand replacement diaphragms are covered by the standard Diaphragm Direct® limited product warranty.